

# PRODUCT INFORMATION PACKET

Model No: 5KH39QN9682  
Catalog No: 4370  
1/3,1725,DP,48,1/60/115  
Fan and Blower



Regal and Marathon are trademarks of Regal Beloit Corporation or one of its affiliated companies.

©2018 Regal Beloit Corporation, All Rights Reserved. MC017097E



**Nameplate Specifications**

Output HP	<b>1/3 Hp</b>	Output KW	<b>0.25 kW</b>
Frequency	<b>60 Hz</b>	Voltage	<b>115 V</b>
Current	<b>6.2 A</b>	Speed	<b>1725 rpm</b>
Service Factor	<b>1.35</b>	Phase	<b>1</b>
Efficiency	<b>57.4 %</b>	Duty	<b>Continuous</b>
Insulation Class	<b>B</b>	KVA Code	<b>R</b>
Frame	<b>48</b>	Enclosure	<b>Drip Proof</b>
Overload Protector	<b>N/R</b>	Ambient Temperature	<b>40 °C</b>
Drive End Bearing Size	<b>6203</b>	Opp Drive End Bearing Size	<b>6203</b>
UL	<b>Recognized</b>	CSA	<b>Yes</b>
CE	<b>N</b>		

**Technical Specifications**

Electrical Type	<b>Split Phase</b>	Starting Method	<b>SM</b>
Poles	<b>4</b>	Rotation	<b>Counterclockwise/Clockwise</b>
Mounting	<b>Resilient Base</b>	Motor Orientation	<b>ANY</b>
Drive End Bearing	<b>BALL</b>	Opp Drive End Bearing	<b>BALL</b>
Frame Material	<b>Rolled Steel</b>	Overall Length	<b>9.18 in</b>
Frame Length	<b>5.41 in</b>	Shaft Diameter	<b>0.5 in</b>
Shaft Extension	<b>1.5 in</b>	Thru-bolts Extension	<b>0</b>
Outline Drawing	<b>52A106918P2</b>	Connection Diagram	<b>52A105377AA</b>

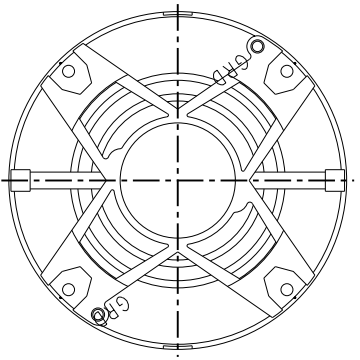
**This is an uncontrolled document once printed or downloaded and is subject to change without notice. Date Created: 10/08/2018**

THIRD ANGLE PROJECTION

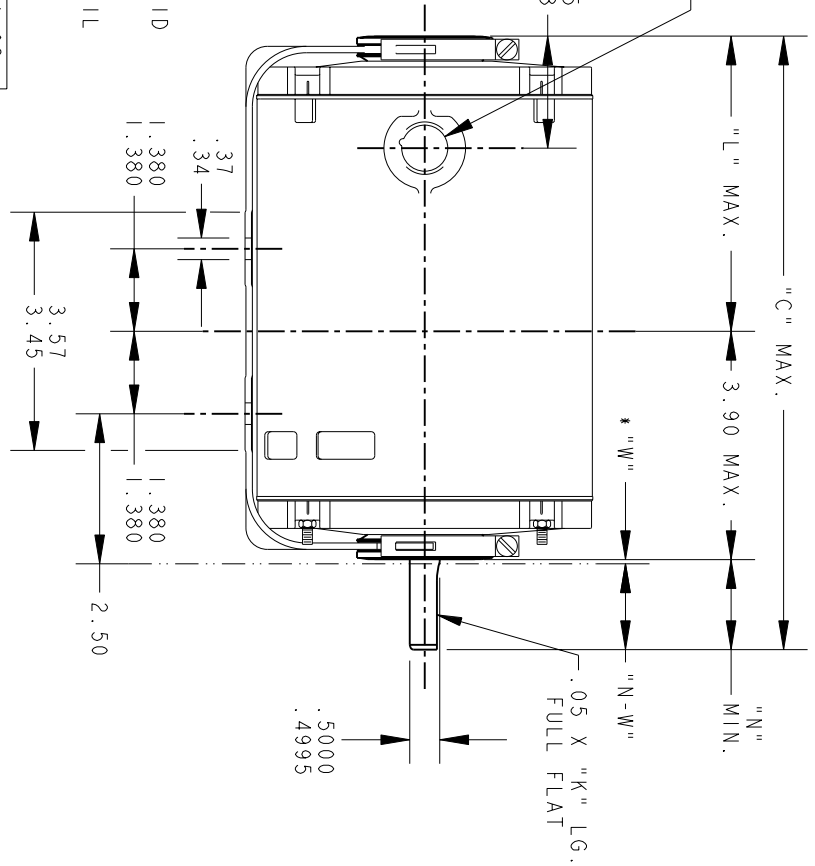
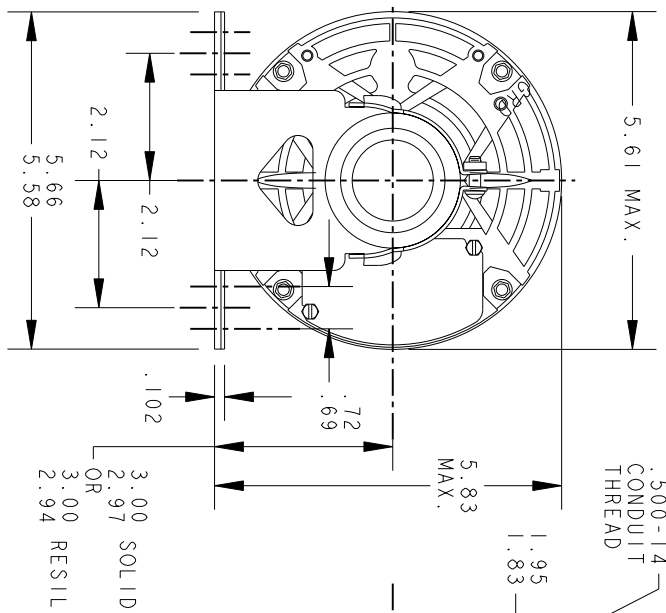


REVISIONS

REV.	DESCRIPTION	DATE	APPROVED
3	REDRAWN WITHOUT CHANGE	08/30/91	BLJ
4	REDRAWN BY 2M SOFTWARE CO.	03/04/95	CCP
5	CHG TO RBC FORMAT PER IS05-1777	02/14/06	SUDHA



VIEW SHOWING P.E. VENTILATION OPENINGS



P	TYPE	GE SIZE	NEMA FR	"C"	"K"	"L"	"N"	"N-W"
1	K KH	32	48	8.93	1.16	3.59	1.50	1.63 1.41
2	KH	33	48	9.18	1.16	3.84	1.50	1.63 1.41
3	KH	32	487	10.74	2.22	3.59	3.31	3.44 3.22
4	KH	35	48	9.56	1.16	4.22	1.50	1.63 1.41

\* "W" IS A CLEARANCE DUE TO VARIATION IN PARTS AND ASSEMBLY



REGAL-BELOTT CORPORATION

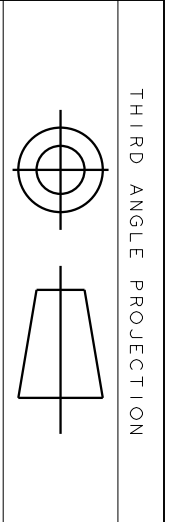
OUTLINE

FORM N - GENERAL PURPOSE MOTOR - DRIP PROOF  
SOLID OR RESIL. BASE - BALL OR SLEEVE BEARING

SIGNATURES		DATE
MODEL	J.L.MORRIS	02/11/89
DETAIL		
CHECKED		
ENGRG		
MFG		
QUALITY		
ISSUED	C.C.P.	03/04/95
SOLID MODEL:	52A106918	

SIZE	SCALE	REF. No.	SHEET
A	0.250		1 of 1

52A106918 REV 5



THIRD ANGLE PROJECTION

REVISIONS


REV.	DESCRIPTION	DATE	APPROVED
1	UPDATED FORMAT	11/10/05	MAM

EITHER ROTATION - SINGLE VOLTAGE  
TYPE KC, OR KH



NOTE #1 - TO REVERSE ROTATION INTERCHANGE BLACK (T5-KH OR J9-KC) AND RED (T8) LEADS.

NOTE #2 - WHEN MORE THAN ONE CAPACITOR IS USED CONNECT IN PARALLEL.

REF. DIAG. - 121A850		SWITCH (C) - 115D958AB	
CONNECTION LABEL - 52X332047			
SIGNATURES		DATE	
MODEL	M.D. PAPE	06/29/87	
DETAIL			
CHECKED			
ENGRG			
MFG			
QUALITY			
ISSUED	M.D. P.	06/29/87	
MATERIAL		SOLID MODEL: 52A105377AA	
FOR ADDITIONAL INFO REFER TO:			
APPLIED PRACTICES			
DIMENSIONS ARE IN INCHES			
TITLE			
 <b>REGAL-BELOVT CORPORATION</b>			
<b>CONNECTION DIAGRAM</b>			
<b>FME: 30 FRAME SWITCH REDESIGN</b>			
SIZE	DRAWING	SCALE	REF. No.
A		1.000	
SHEET 1 of 1			REV 1